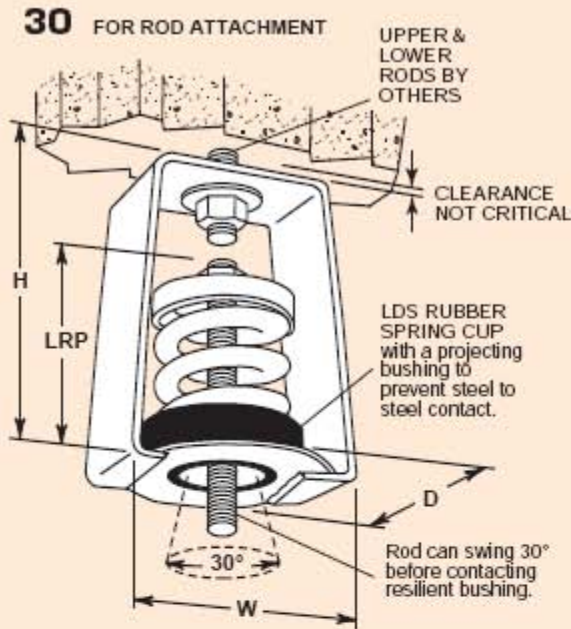
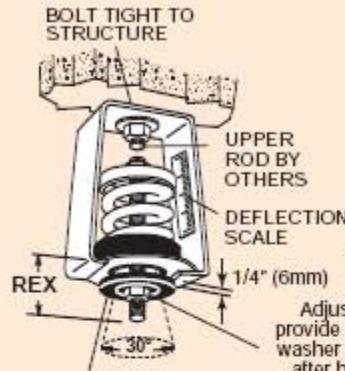


## 1"(25mm) DEFLECTION 30° SWING – X, A, B, C, D & F SPRING HANGERS

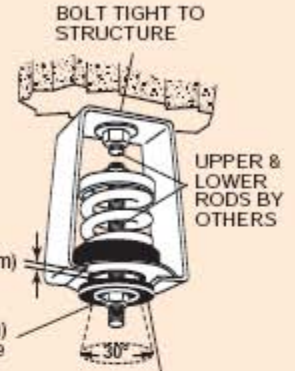


**PC30**  
TYPE 30 PRECOMPRESSED & SEISMIC RESTRAINT



Seismic Rebound Steel and Bonded LDS Rubber Washer holds precompression and limits upward seismic motion. Hangers are precompressed to rated load or assigned load as required. Scale indicates deflection.

**RW30**  
TYPE 30 SEISMIC RESTRAINT



Seismic Rebound Steel and Bonded LDS Rubber Washer limits upward seismic motion.



### Ratings & Dimensions for 1"(25mm) Deflection Spring Hangers (inches mm)

Type	Size	Rated Capacity (lbs)(kg)	Rated Def. <sup>1</sup> (in)(mm)	Spring Constant (lbs/in)(kg/cm)	Spring Color	Spring Only			Lower Rod Penetration LRP	Max. Rod Dia. MRD	Rod Extension REX	Vertical 'G' Ratings			
						OD	Free Height	D				H	W	Tension	Compression
30-	X-12	12 5	1.25 32	10 0.18	Orange							10.0 <sup>+</sup>	10.0 <sup>+</sup>		
	X-23	23 10	1.30 33	18 0.30	Brown							10.0 <sup>+</sup>	10.0 <sup>+</sup>		
	X-33	33 15	1.10 28	30 0.54	Copper							10.0 <sup>+</sup>	10.0 <sup>+</sup>		
	X-54	54 24	1.20 30	45 0.80	White							10.0 <sup>+</sup>	10.0 <sup>+</sup>		
	X-76	76 34	1.02 25	73 1.36	Black	1 1/2	2 1/2	2 1/2	4 1/4	2 7/8	3 1/2	3/8	1 3/4	10.0 <sup>+</sup>	10.0 <sup>+</sup>
	X-113	113 51	1.00 25	113 2.04	Brass	3 8	6 4	6 4	1 0 8	7 3	8 9	1 0	4 4	10.0 <sup>+</sup>	7.6
	X-130	130 59	1.00 25	130 2.36	Purple									10.0 <sup>+</sup>	6.6
	X-175	175 79	1.00 25	175 3.16	Silver									10.0 <sup>+</sup>	4.9
	X-210	210 95	1.00 25	210 3.80	Blue									9.0	4.1
PC30-	A-12	12 5	1.00 25	12 0.20	Copper	1 3/4	1 7/8	2 3/4	5 3/4	3 1/4	3 1/2	5/8	2 1/4	10.0 <sup>+</sup>	10.0 <sup>+</sup>
	A-18	18 8	1.00 25	18 0.32	Gray	4 4	4 8	7 0	1 4 5	8 3	8 9	1 6	5 7	10.0 <sup>+</sup>	10.0 <sup>+</sup>
	A-25	25 11	1.00 25	25 0.44	Orange									10.0 <sup>+</sup>	10.0
	A-41	41 15	1.18 30	35 0.63	Pink	1 3/4	2 1/4	2 3/4	5 3/4	3 1/4	4	5/8	2 1/4	10.0 <sup>+</sup>	10.0 <sup>+</sup>
	A-56	56 25	1.14 30	49 0.83	Black	4 4	5 7	7 0	1 4 6	8 3	1 0 2	1 6	5 7	10.0 <sup>+</sup>	10.0 <sup>+</sup>
RW30-	A-73	73 33	1.06 27	69 1.22	Tan									10.0 <sup>+</sup>	10.0 <sup>+</sup>
	A-95	95 43	1.01 26	94 1.65	Green									10.0 <sup>+</sup>	10.0 <sup>+</sup>
	B-138	138 63	1.32 34	105 1.85	White									10.0 <sup>+</sup>	10.0 <sup>+</sup>
	B-222	222 101	1.16 29	191 3.48	Blue									10.0 <sup>+</sup>	6.6
	B-278	278 126	1.09 28	255 4.50	Purple	2 3/8	2 7/8	4	7 1/4	4 3/4	4 1/4	5/8	2 1/4	10.0 <sup>+</sup>	5.2
	B-336	336 152	1.00 25	336 6.08	Silver	6 0	7 3	1 0 2	1 8 4	1 2 1	1 0 8	1 6	5 7	10.0 <sup>+</sup>	4.3
D- & F-	B-410	410 186	1.07 27	385 6.89	Black									10.0 <sup>+</sup>	3.6
	B-540	540 245	1.00 25	540 9.80	Yellow									10.0 <sup>+</sup>	2.7
	C-630	630 286	1.13 29	558 9.86	Gray									10.0 <sup>+</sup>	5.4
	C-800	800 363	1.00 25	800 14.52	Orange	2 7/8	3 5/8	4	8 3/4	5 1/4	5	3/4	2 1/4	7.9	4.0
	C-1010	1010 458	1.10 28	920 16.36	Green	7 3	9 2	1 0 2	2 2 2	1 3 2	1 2 7	1 9	7 0	6.3	3.1
	C-1265	1265 574	1.00 25	1265 22.96	Red									5.0	2.5
	D-1575	1575 714	1.23 31	1280 23.03	Pink	3 3/4	4 7/8	4 3/4	1 2 1/2	5 3/4	7	7/8	2 1/2	10.0 <sup>+</sup>	6.0
	D-2150	2150 975	1.03 26	2095 37.50	Purple	9 5	1 2 4	1 2 1	3 1 8	1 4 6	1 7 8	2 2	6 9	9.0	4.4
	F-2760	2760 1252	1.00 25	2760 50.08	Silver	4 1/2	5 1/8	6	1 2	6 1/4	7	7/8	2 1/2	5.0	4.3
						1 1 4	1 3 0	1 5 2	3 0 5	1 5 9	1 7 8	2 2	6 4		

<sup>1</sup>All springs have additional travel to solid equal to 50% of Rated Deflection.

\*10.0 indicates a rating of 10 G's or greater