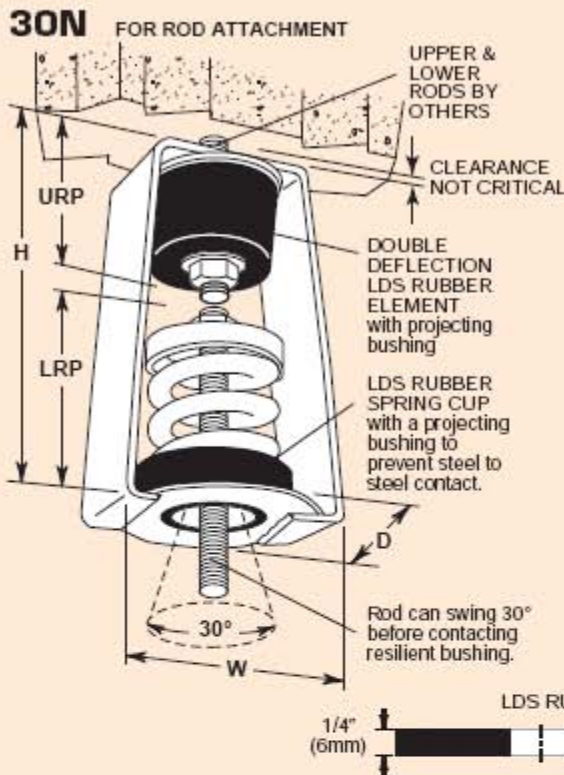
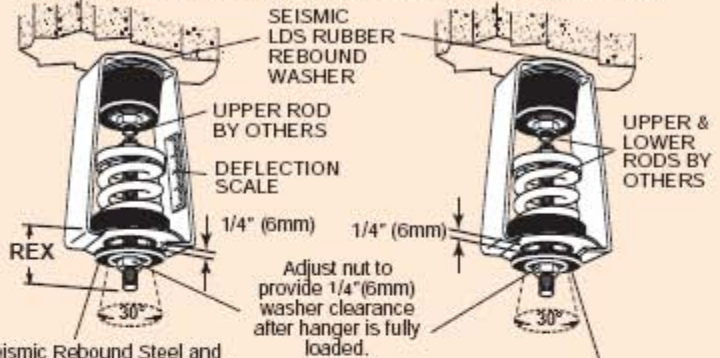


1"(25mm) DEFLECTION 30° SWING – X, A, B, C, D & F SPRING and DOUBLE DEFLECTION LDS HANGERS



PC30N TYPE 30N PRECOMPRESSED & SEISMIC RESTRAINT

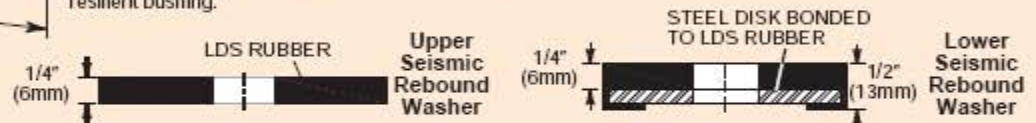
Install with hanger box snug to 1/4" (6mm) Seismic LDS Rubber Washer, so washer is tight to overhead surface. Upper hanger element deflects under load, leaving space on top. Washer cushions upward seismic travel.



Seismic Rebound Steel and Bonded LDS Rubber Washer holds precompression and limits upward seismic motion. Hangers are precompressed to rated load or assigned load as required. Scale indicates deflection.

RW30N TYPE 30N SEISMIC RESTRAINT

Seismic Rebound Steel and Bonded LDS Rubber Washer limits upward seismic motion.



Ratings & Dimensions for 1"(25mm) Deflection Spring and Double Deflection LDS Hangers (inches mm)

Type	Size	Rated Capacity (lbs) (kg)	Rated Def. ¹ (in) (mm)	Spring Constant ^{1†} (lbs/in) (kg/mm)	Average Defl. LDS Rubber	Spring Color	Spring Only		LRP- Lower Rod Penetration				URP- Upper Rod Penetration			Vertical G Ratings		
							Free OD	Height	D	H	W	LRP	MRD	REX	URP	Tension	Comp.	
30N-	X-12	12 5	1.45 37	10 0.18		Orange											10.0*	10.0*
	X-23	23 10	1.50 38	18 0.26		Brown											10.0*	10.0*
	X-33	33 15	1.30 33	30 0.45		Copper											10.0*	10.0*
	X-54	54 24	1.40 36	45 0.67		White											10.0*	10.0*
	X-76	76 34	1.22 31	73 1.10	0.20	Black	11/2	21/2	21/2	51/2	27/8	31/4	3/8	21/4	13/4		10.0*	10.0*
	X-113	113 51	1.20 30	113 1.70	5	Brass	38	64	64	140	73	83	10	57	44		10.0*	6.7
	X-130	130 59	1.20 30	130 1.97		Purple											10.0*	5.8
	X-175	175 79	1.20 30	175 2.63		Silver											10.0*	4.3
	X-210	210 95	1.20 30	210 3.17		Blue											10.0*	3.6
PC30N-	A-12	12 5	1.35 34	12 0.15	0.35	Copper											10.0*	10.0*
	A-18	18 8	1.35 34	18 0.24	9	Gray	13/4	17/8	23/4	63/4	31/4	31/4	5/8	21/4	21/4		10.0*	10.0*
	A-25	25 11	1.35 34	25 0.32	9	Orange	44	48	70	171	82	83	16	57	57		10.0*	10.0*
	A-41	41 19	1.53 39	35 0.49		Pink											10.0*	10.0*
	A-56	56 25	1.49 38	49 0.66	0.35	Black	13/4	21/4	23/4	63/4	31/4	35/8	5/8	21/4	21/4		10.0*	10.0*
RW30N-	A-73	73 33	1.41 36	69 0.92	9	Tan	44	57	70	171	82	92	16	57	57		10.0*	10.0*
	A-95	95 43	1.36 35	94 1.23		Green											10.0*	10.0*
	B-138	138 63	1.67 42	105 1.50		White											10.0*	10.0*
	B-222	222 101	1.51 38	191 2.66		Blue											10.0*	7.3
	B-278	278 126	1.44 37	255 3.41	0.35	Purple	23/8	27/8	4	63/4	43/4	33/4	5/8	21/4	23/4		10.0*	5.8
RW30N-	B-336	336 152	1.35 34	336 4.47	9	Silver	60	73	102	171	121	95	16	57	70		10.0*	4.8
	B-410	410 186	1.42 36	385 5.17		Black											10.0*	4.0
	B-540	540 245	1.35 34	540 7.21		Yellow											10.0*	3.0
	C-630	630 286	1.53 39	558 7.33		Gray											10.0*	3.2
	C-800	800 363	1.40 36	800 10.08	0.40	Orange	27/8	35/8	43/4	9	51/4	5	3/4	21/2	3		10.0*	2.5
RW30N-	C-1010	1010 458	1.50 38	920 12.05	10	Green	73	92	121	229	133	127	19	64	76		10.0*	2.0
	C-1265	1265 574	1.40 36	1265 15.94		Red											10.0*	1.6
	D-1575	1575 714	1.63 41	1280 17.41	0.40	Pink	33/4	47/8	43/4	121/2	53/4	7	7/8	21/2	41/4		10.0*	6.0
	D-2150	2150 975	1.43 36	2095 27.08	10	Purple	95	124	121	318	146	178	22	64	108		9.0	4.4
	F-2760	2760 1252	1.40 36	2760 34.78	0.40	Silver	41/2	51/8	6	141/2	61/4	7	7/8	21/2	5		5.0	4.3

All springs have additional travel to solid equal to 50% of Rated Deflection. Hanger elements have straight line deflection curves.¹Includes double deflection LDS element. [†]applies to spring only. *10.0 indicates a rating of 10 G's or greater