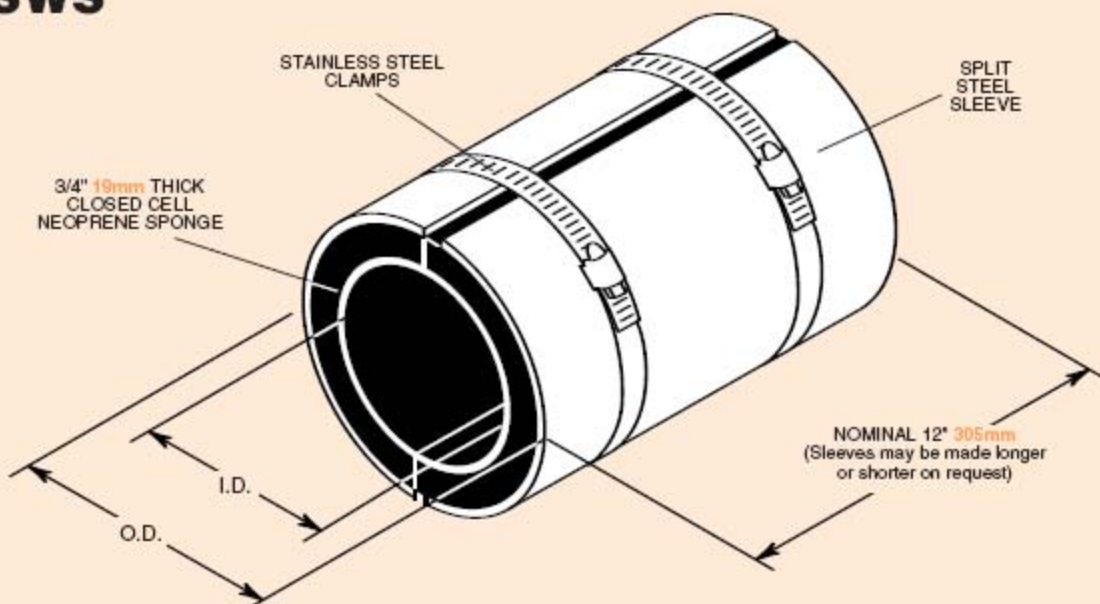


The problem of establishing a sound seal around piping passing through walls has always been difficult. Normally a sleeve is left in the wall and the pipe passed through later. The periphery is eccentric, so fiberglass packing becomes makeshift and

caulking even more nebulous. Only a skilled, supervised worker can do the job properly. The SWS acoustical wall seal is a simple positive device that does an excellent job and presents a neat appearance. Installation is simple as described below.

## SWS



### INSTALLATION PROCEDURE

If pipe is in place before wall construction:

1. Clamp SWS in place around pipe.
2. Build or pour wall around SWS.
3. Pack concrete around SWS and caulk any cracks.

If hole is broken or left in wall:

1. Pass pipe thru opening.
2. Clamp SWS in place.
3. Pack concrete around SWS and caulk any cracks.

TYPE SWS DIMENSIONS

Metric Dimensions

SWS Size	Wall Seal Pipe Size (in)	Installed I.D. (in)	Outer Shell O.D. (in)	Wall Seal Pipe Size (mm)	Installed I.D. (mm)	Outer Shell O.D. (mm)
75	3/4	1	23/4	20	25	70
100	1	11/4	3	25	32	78
125	1 1/4	15/8	3 1/4	30	41	83
150	1 1/2	13/4	3 1/2	40	44	89
200	2	2 1/4	4	50	57	102
250	2 1/2	23/4	4 1/2	65	70	114
300	3	33/8	5 1/8	75	86	130
350	3 1/2	37/8	55/8	90	98	143
400	4	43/8	6 1/8	100	111	158
500	5	5 1/2	7 1/4	125	140	181
600	6	6 1/2	8 1/4	150	165	208
800	8	8 1/2	10 1/4	200	218	280
1000	10	105/8	123/8	250	270	314
1200	12	125/8	143/8	300	321	365
1400	14	137/8	155/8	350	352	397
1600	16	157/8	175/8	400	403	448
1800	18	177/8	195/8	450	454	498